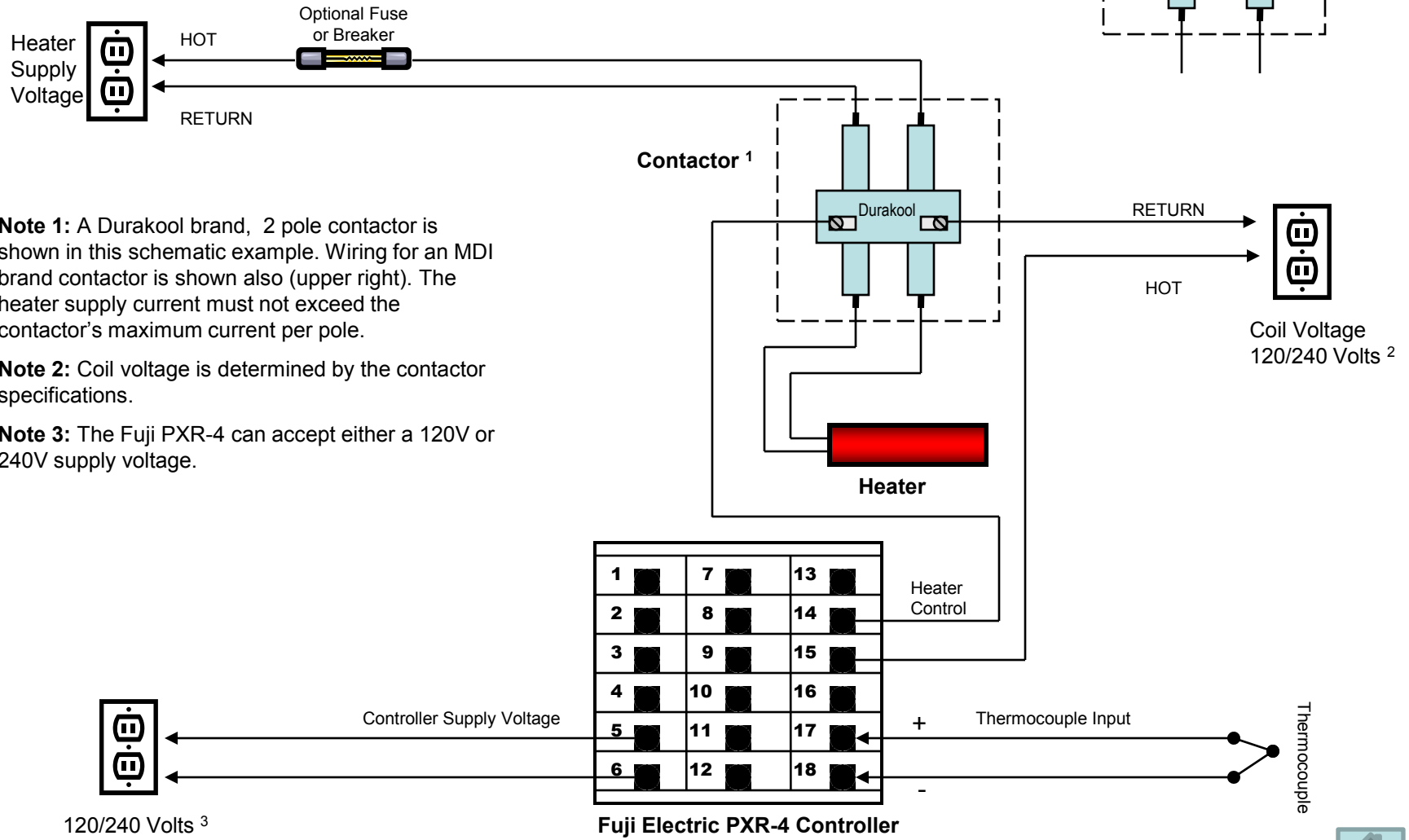


# Basic Heater System Schematic



- Note 1:** A Durakool brand, 2 pole contactor is shown in this schematic example. Wiring for an MDI brand contactor is shown also (upper right). The heater supply current must not exceed the contactor's maximum current per pole.
- Note 2:** Coil voltage is determined by the contactor specifications.
- Note 3:** The Fuji PXR-4 can accept either a 120V or 240V supply voltage.